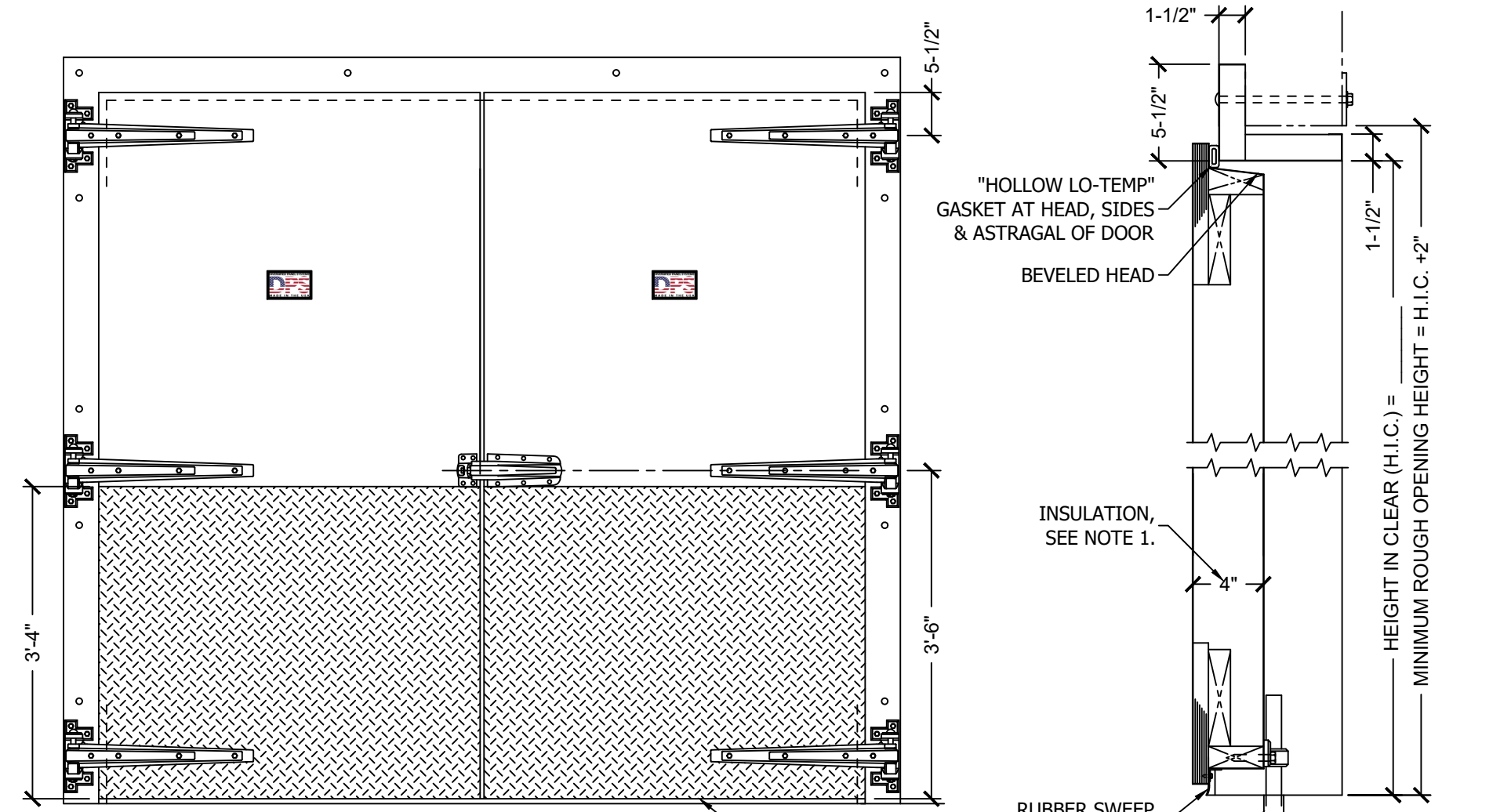


NOTES:

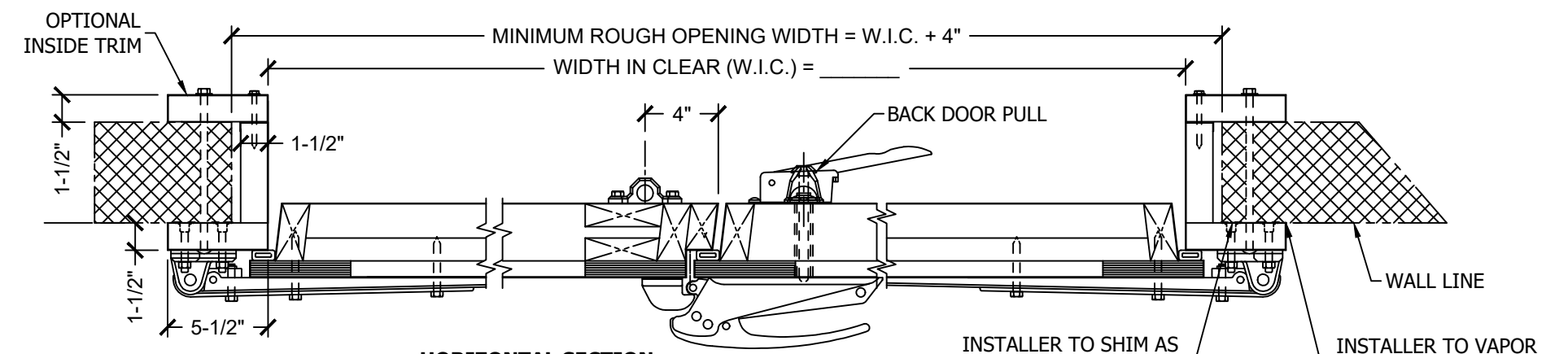
1.	DOOR PANEL - POLYURETHANE INSULATED		
	R32 @ 20°F 4" INSULATED		
	R48 @ 20°F 6" INSULATED		
A.	COOLER DOOR 4" STANDARD		<input type="checkbox"/>
B.	FREEZER DOOR 4" STANDARD		<input type="checkbox"/>
C.	FREEZER DOOR 6" STANDARD		<input type="checkbox"/>
	HIGH HEAT INSULATION FOR UP TO 190°F		
	R23.7 @ 20°F 4" INSULATED		
	R39.7 @ 20°F 6" INSULATED		
A.	COOLER DOOR 4" STANDARD		<input type="checkbox"/>
B.	FREEZER DOOR 4" STANDARD		<input type="checkbox"/>
C.	FREEZER DOOR 6" STANDARD		<input type="checkbox"/>
2.	DOOR, FRONT AND BACK, TO BE #26 GAUGE GALVANIZED STUCCO PATTERN EMBOSSED STEEL WITH BAKED-ON WITH ENAMEL FINISH, AS STANDARD. CASING FRAME TO BE PLYWOOD, METAL CLAD ON EXPOSED SURFACES TO MATCH DOOR.		<input type="checkbox"/>
3.	EXTERIOR GRADE PLYWOOD CASINGS AND JAMBS OF FRAME TO BE CLAD ON EXPOSED SURFACES WITH #24 GAUGE STAINLESS FINISH		
4.	HARDWARE - PER DOOR		
SIX	"JB" ADJUSTOFLEX SELF-RAISING HINGES, GALVANIZED FINISH. (3 PER LEAF)		
ONE	#220 TOP LATCH (REAR OF INACTIVE LEAF) WITH OFFSET STRIKE, AH4099-10		
5.	THREE - LARGE DOOR PULLS (ON BACK OF EACH LEAF AND ON FRONT OF INACTIVE LEAF). BH4038-1D		
6.	40" DIAMOND PLATE STANDARD WITH ALL DOORS		
7.	OPTIONS	YES	NO
A.	JAMBS, 1-1/2" PLYWOOD, CLAD TO MATCH DOOR	<input type="checkbox"/>	<input type="checkbox"/>
B.	INSIDE TRIM, 1-1/2" X 4-1/2" EXTRUDED ALUMINUM WITH BAKED-ON WHITE FINISH	<input type="checkbox"/>	<input type="checkbox"/>
C.	INSIDE TRIM, 1-1/2" X 4" PLYWOOD, CLAD TO MATCH DOOR	<input type="checkbox"/>	<input type="checkbox"/>
D.	DOOR SEALED TO MEET M.I.D. SPECIFICATIONS	<input type="checkbox"/>	<input type="checkbox"/>
	GAUGE _____ HEIGHT _____		
E.	KICKPLATE, DOOR FRONT	<input type="checkbox"/>	<input type="checkbox"/>
	GAUGE _____ HEIGHT _____		
F.	KICKPLATE, DOOR BACK	<input type="checkbox"/>	<input type="checkbox"/>
	GAUGE _____ HEIGHT _____		
G.	KICKPLATE, FRAME	<input type="checkbox"/>	<input type="checkbox"/>
	GAUGE _____ HEIGHT _____		
H.	VIEW WINDOW, 12" X 14" LEXAN	<input type="checkbox"/>	<input type="checkbox"/>
	QUANTITY OF LAYERS _____		
J.	OTHER	<input type="checkbox"/>	<input type="checkbox"/>
8.	HEATERS PROVIDED AT HEAD, SIDES, AND HIGH SILL IN JAMB AREA OF FRAME. A THERMOSTAT IS PROVIDED FOR ENVIRO DOORS.		



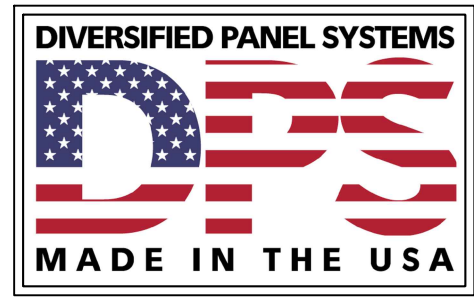
FRONT ELEVATION
RIGHT HAND ACTIVE SHOWN - LEFT HAND OPPOSITE

INSTALLER TO SET 1-1/16"Ø RECEPTACLE IN FLOOR AFTER DOOR HAS BEEN HUNG & ADJUSTED. USE BOLT AS TEMPLATE FOR LOCATION

VERTICAL SECTION
FLUSH SILL



HORIZONTAL SECTION



CAUTION: GREATER CLEARANCE MAY BE REQUIRED AT SIDES AND/OR HEAD BY CERTAIN JOB CONDITIONS SUCH AS HIGHER SILL BEVEL OR OBSTRUCTIONS NECESSITATING COCKING OR TILTING FRAME INTO OPENING, ETC.

SCALE: NONE	JOB NAME:		
DATE: 04-20-23	DRAWN BY: E.E.S.		
CHECKED BY: P.M.	APPROVED BY: D.P.S.		
DPS DOOR OXNARD, CA	TITLE: DPS DOUBLE DOOR		
		LTR: DATE:	BY: SUBJECT: REVISIONS:
			DPSDBLDR