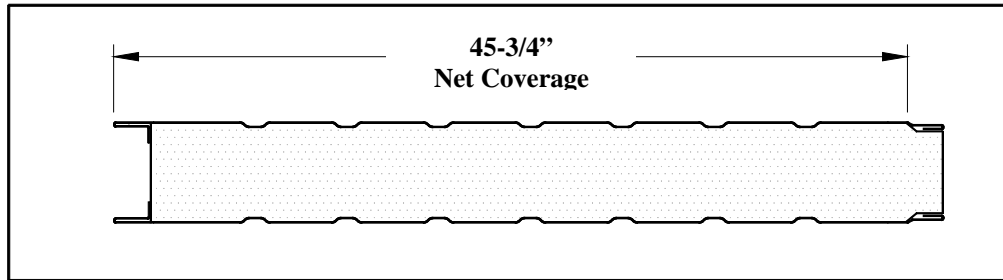


# SLIP LOCK PANEL

**SL-504**



## DESCRIPTION

A versatile insulated building panel with a tongue and groove joining system roll-formed along the edge.

## RECOMMENDED USES

Agricultural, Cold-rooms, Clean-rooms, Caravan Annexes, Roofs, Partitioning, Portable Buildings.

## SPECIFICATIONS

Width: 45-3/4"

Thickness: 2" - 12"

Length: To Order.

Skin: 26 Gauge G-90 hot dipped galvanized (ASTM 446) with Epoxy Primer and acrylic polyester topcoat over a properly cleaned and pretreated substrate.  
24 gauge available upon request.

Color: USDA White. Custom colors and finishes available upon request.

Core: Minimum 1.0 Lb. Per cubic foot density expanded polystyrene (ASTM C578) CFC free. Fire retardant added. Extruded polystyrene and isocyanurate available upon request.

Thermal properties: EPS at a mean temperature of 25° F R-value 4.35 per inch. EPS at a mean temperature of 40° F, R-value 4.1 per inch.

Weight: 2"- 1.99, 3"- 2.05, 4"- 2.15, 5"- 2.24, 6"- 2.37, 7"- 2.40, 8"- 2.49, 9"- 2.57, 10"- 2.65, 11"- 2.73, 12"- 2.81.

Adhesive: Polyurethane, CFC free.

### Flammability Properties of 500 Series Panels:

ASTM E84-95 Flame Spread Index = 5.

ASTM E84-95 Smoke Development Index = 80.

Based on 4" Thick.

ASTM tests are used solely to measure and describe properties in response to heat and flame under controlled laboratory conditions. Flame spread and smoke development ratings derived are not intended to reflect hazards under actual fire conditions. Values are reported by Omega Point Laboratories Report No. 15600-100475.

Span Chart: See other side.

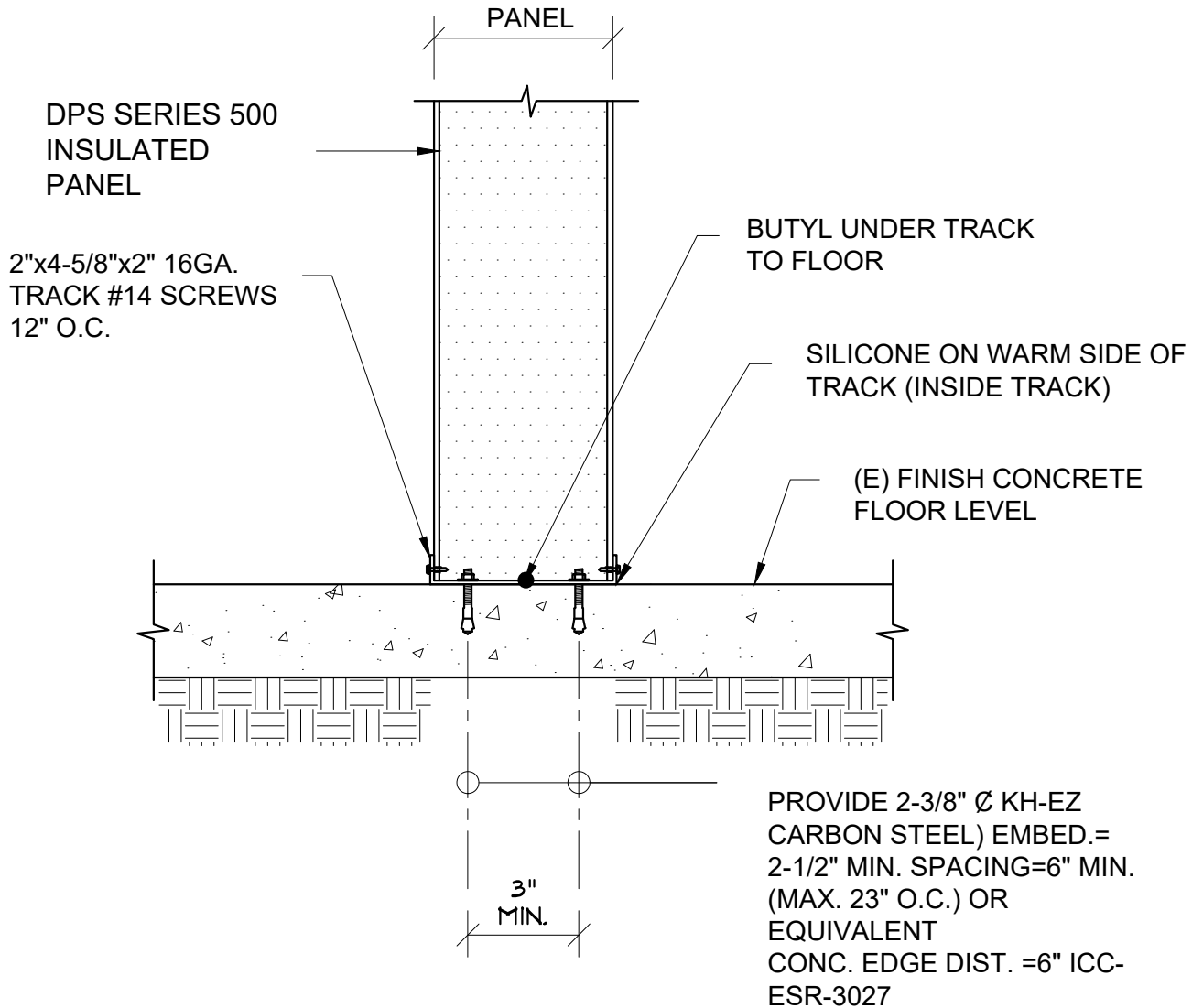
Surface Finish: Plain or ribbed.

Variation: Most of the above specifications can be altered to suit particular applications. Common variations include color, core type or density and skin material.

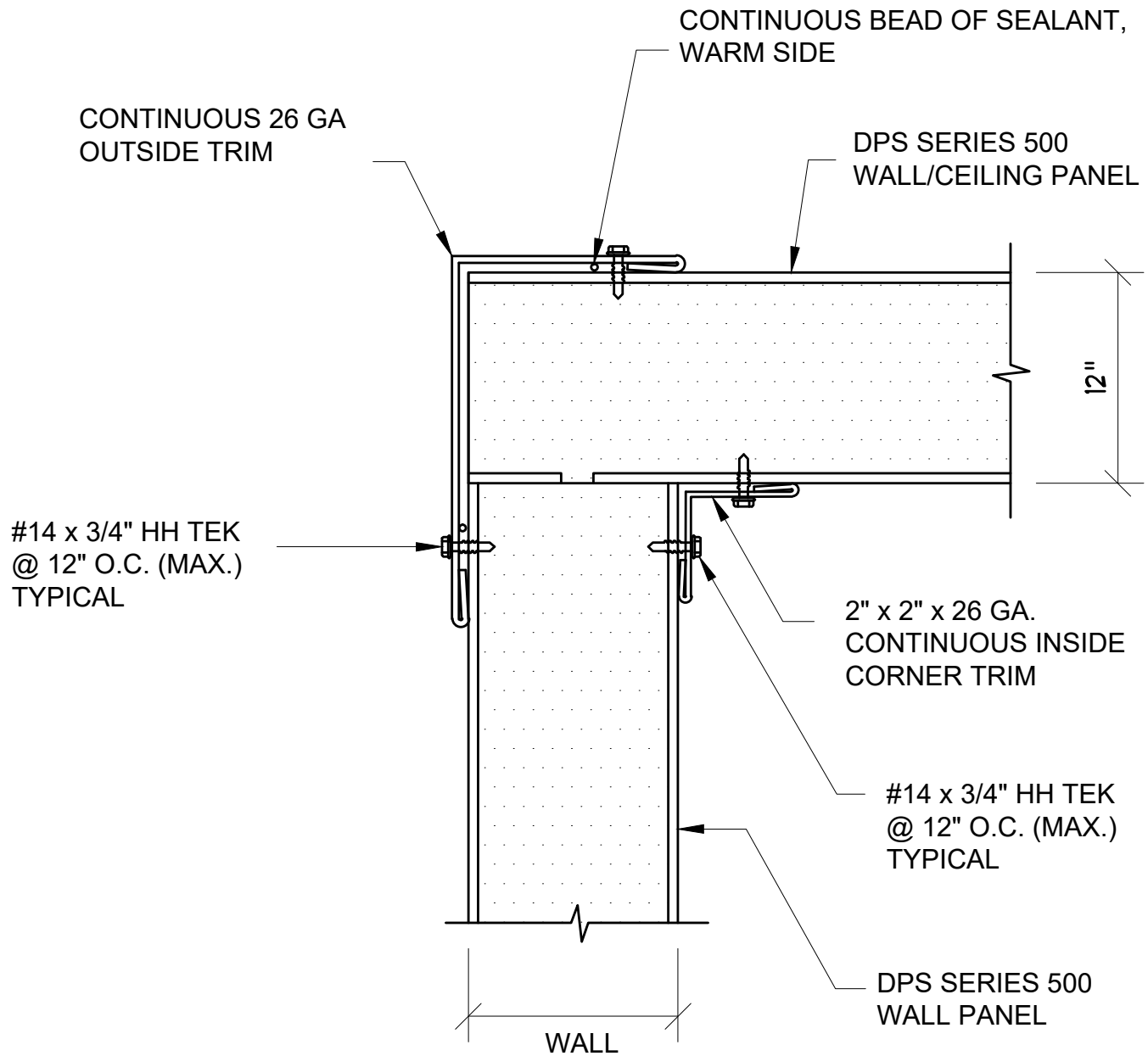
Diversified Panel Systems uses only the highest quality materials and offers customers a variety of panel colors, skins, cores and profiles from which to choose.

**DIVERSIFIED PANEL**  
**DPS**  
**SYSTEMS, INC.**

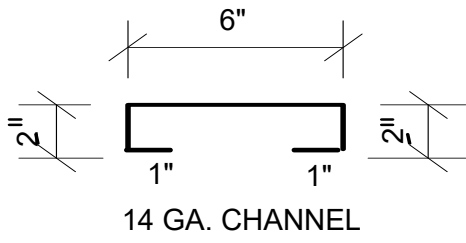
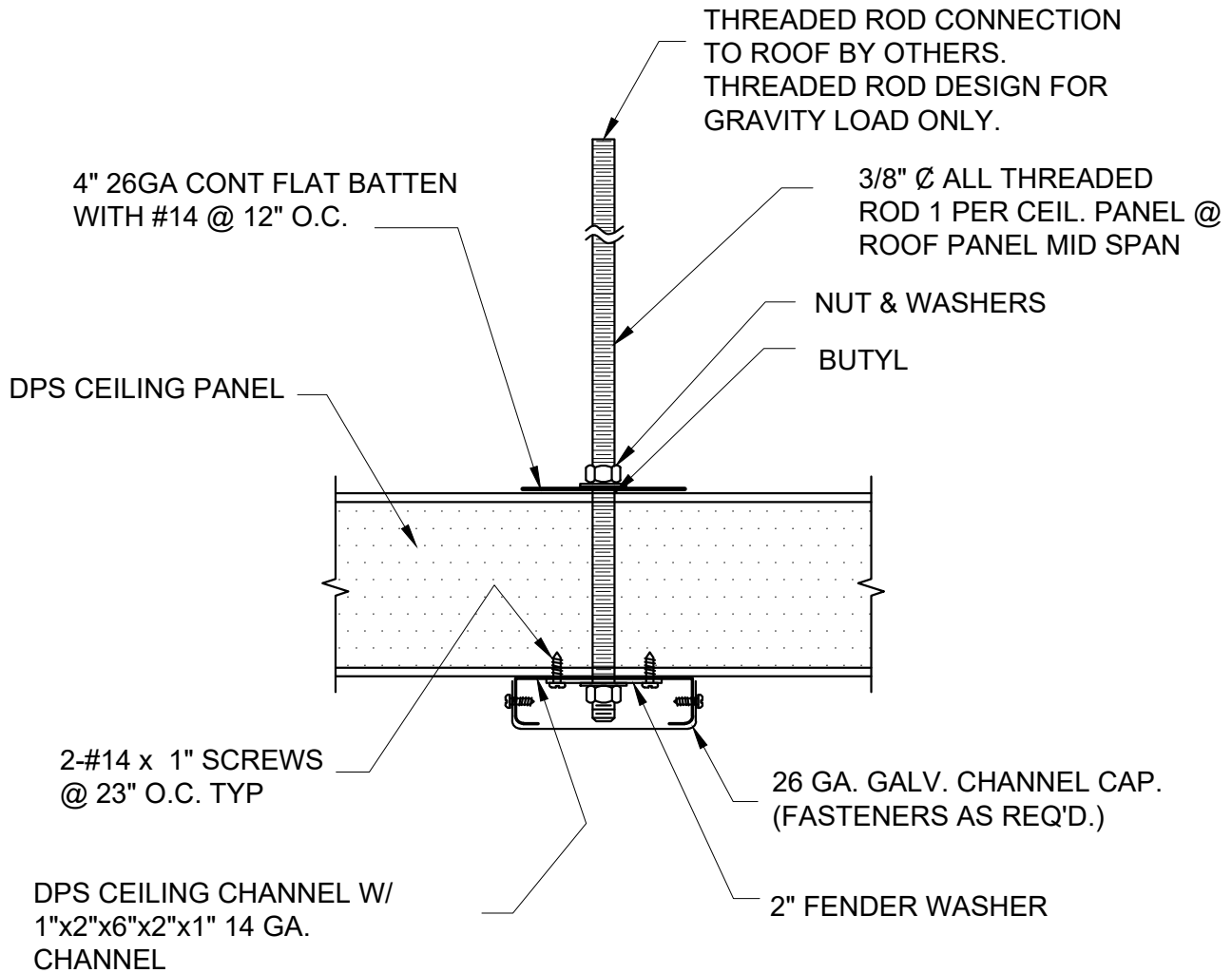
2345 Statham Blvd., Oxnard CA 93033  
(805) 988-5070 Fax: (805) 988-4630  
www.dpspanels.com



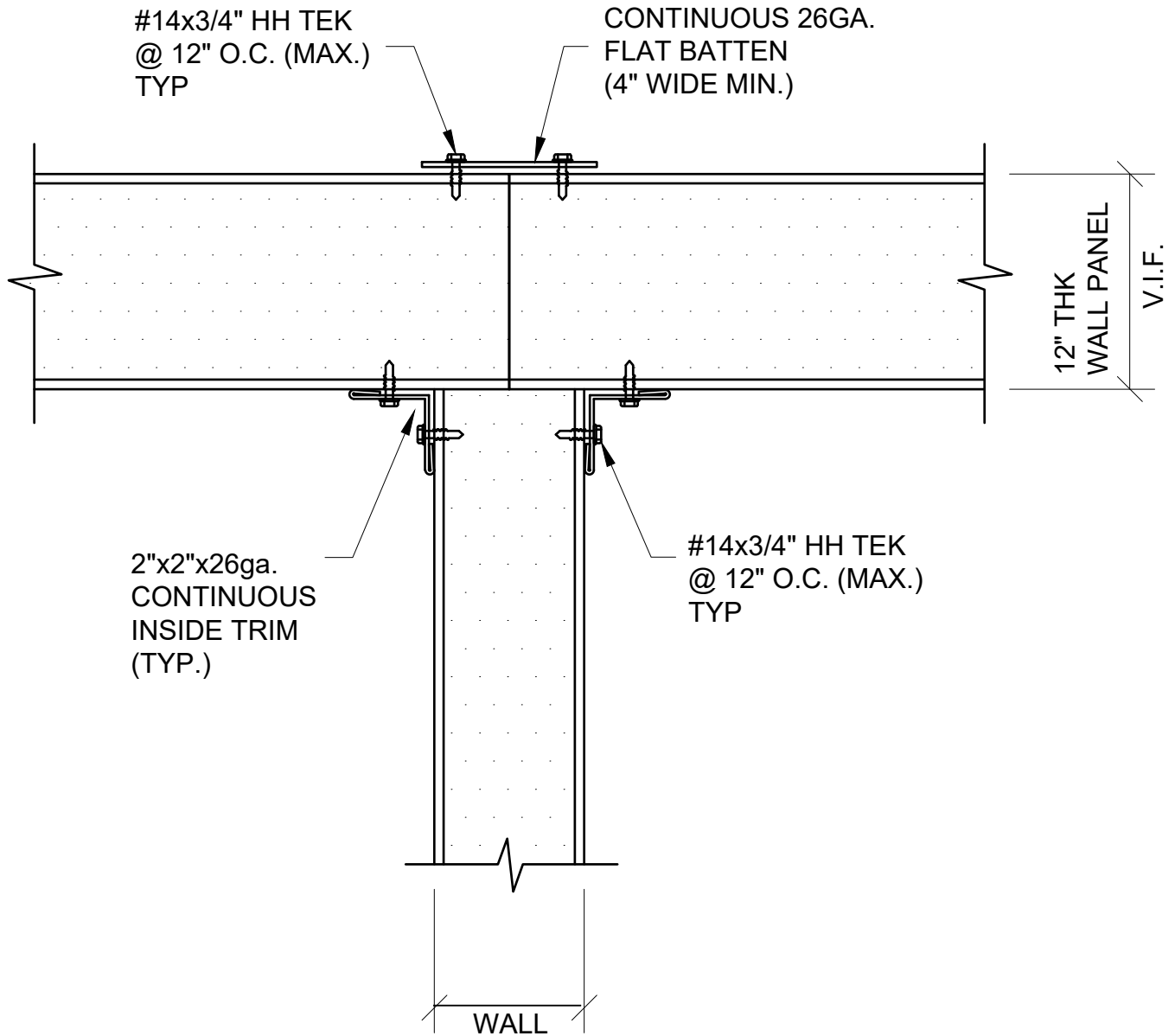
## WALL TO SLAB



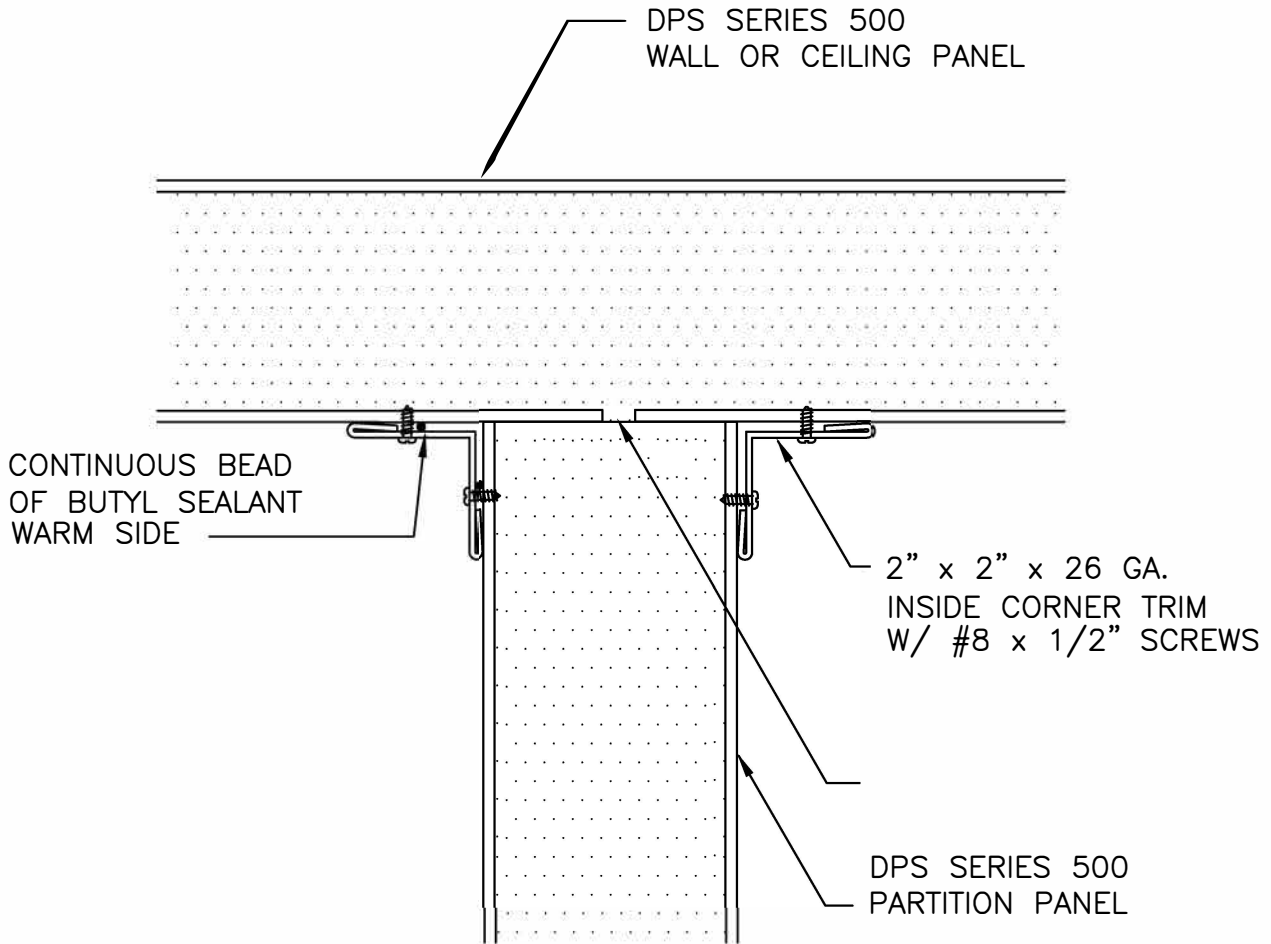
## WALL TO CEILING CORNER DETAIL



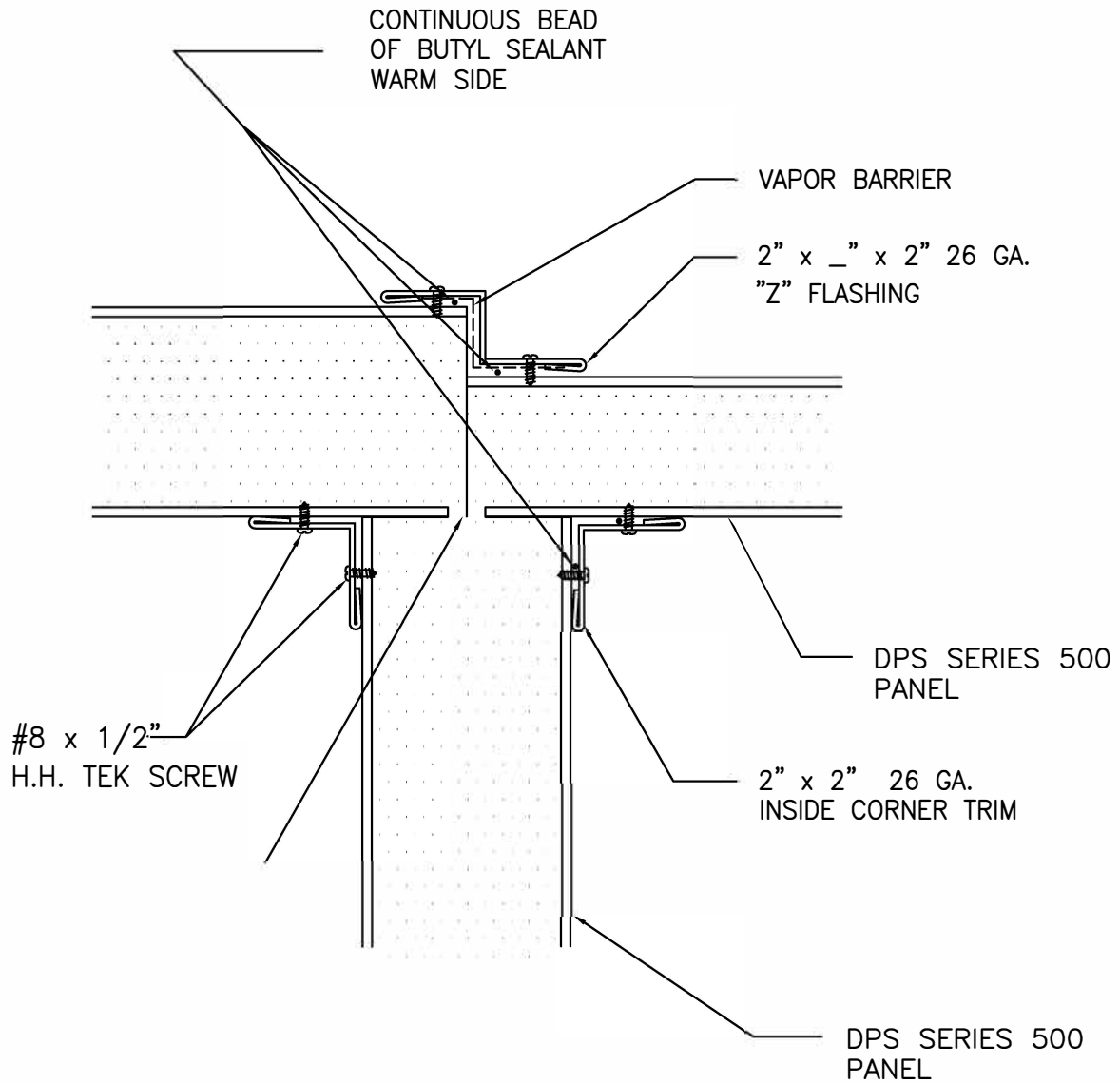
## SUSPENDED CEILING



## CEILING PANEL TO CEILING PANEL



PARTITION CORNER  
DETAIL



THICKNESS CHANGE  
DETAIL

**DIVERSIFIED PANEL SYSTEMS, INC.  
WARRANTY AND LIMITATION OF LIABILITY**

**CONTRACTOR**

**CUSTOMER**

DIVERSIFIED PANEL SYSTEMS, INC. WARRANTS THAT THE INSULATING PANELS AND LINERS IT SUPPLIES HEREUNDER SHALL CONFORM TO THE DESCRIPTION STATED HEREIN AND SHALL NOT PEEL, DELAMINATE OR OTHERWISE DETERIORATE SO AS TO RENDER THEM UNSUITABLE FOR USE IN THE APPLICATION FOR WHICH ORIGINALLY SOLD FOR A LIFETIME WARRANTY FROM DATE OF SHIPMENT BY DIVERSIFIED PANEL SYSTEMS, INC.: PROVIDED, HOWEVER, THAT DIVERSIFIED PANEL SYSTEMS, INC. SHALL NOT BE LIABLE FOR FAILURES DUE IN WHOLE OR IN PART TO ANY ACT OF GOD, FIRE OR OTHER CASUALTIES, ABUSE OR ABNORMAL USE, OR OTHER SIMILAR CAUSES: AND PROVIDED FURTHER, THAT SUCH PANELS AND LINERS ARE USED IN A BUILDING APPLICATION OF ADEQUATE DESIGN, ENGINEERING, AND CONSTRUCTION, AND THAT DIVERSIFIED PANEL SYSTEMS INC.'S CURRENT DESIGN AND INSTALLATION RECOMMENDATIONS ARE FOLLOWED.

**THE ABOVE WARRANTY IS IN LIEU OF ALL OTHER WARRANTIES EXPRESS OR IMPLIED, INCLUDING ANY IMPLIED WARRANTY OF MERCHANT ABILITY OR FITNESS FOR A PARTICULAR PURPOSE. IT IS EXPRESSLY UNDERSTOOD THAT DIVERSIFIED PANEL SYSTEMS, INC.'S LIABILITY AND PURCHASER'S EXCLUSIVE REMEDY HEREUNDER FOR ANY CAUSE WHATSOEVER, INCLUDING ALLEGED NEGLIGENCE, IS LIMITED TO REPAIR OR REPLACEMENT OF NON CONFORMING GOODS. IN NO EVENT SHALL DIVERSIFIED PANEL SYSTEMS, INC. BE LIABLE FOR SPECIAL, INDIRECT, CONSEQUENTIAL OR INCIDENTAL DAMAGES.**

PURCHASER SHALL INSPECT THE GOODS FURNISHED HEREUNDER IMMEDIATELY AFTER DELIVERY. PURCHASER'S FAILURE TO GIVE NOTICE OF ANY CLAIM WITHIN (30) DAYS FROM DATE OF DELIVERY SHALL CONSTITUTE AN UNQUALIFIED ACCEPTANCE OF SUCH GOODS.

THANK YOU,

RICHARD BELL  
DIVERSIFIED PANEL SYSTEMS, INC.