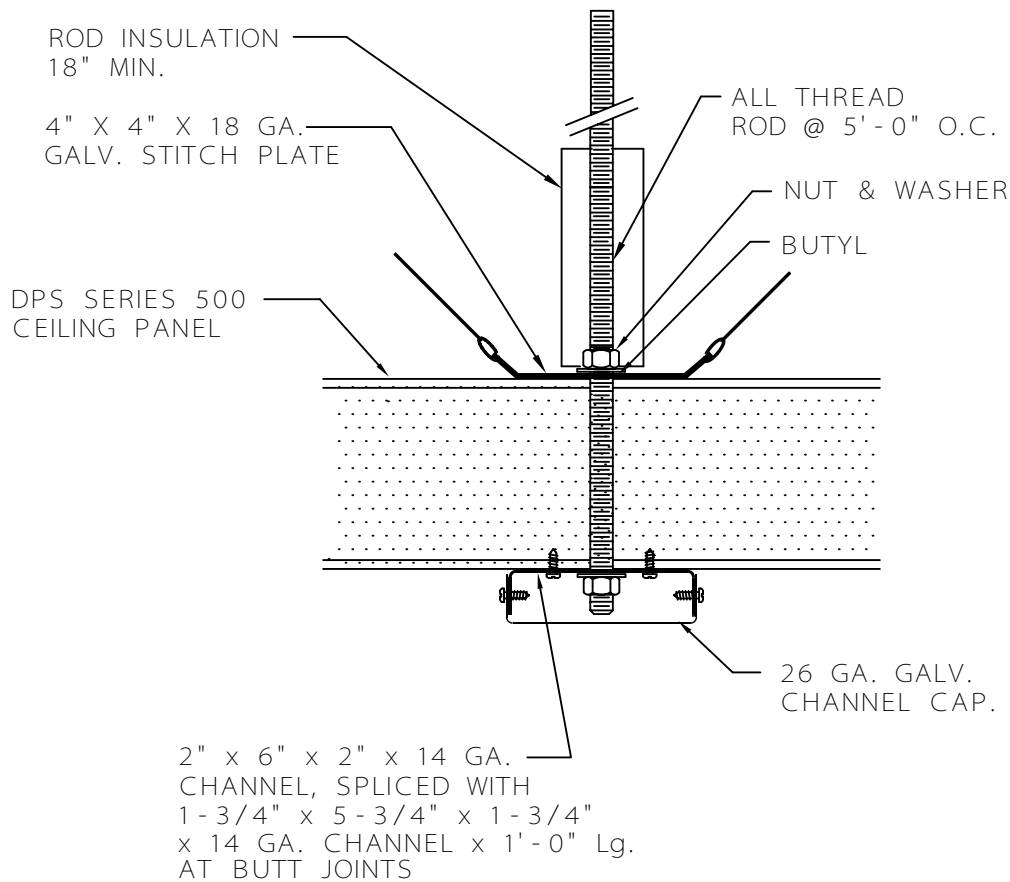


ATTACHMENT TO BUILDING ROOF STRUCTURE BY OTHERS



SUSPENDED CEILING
 PANEL DETAIL WITH
 SEISMIC RESTRAINT